

# °LAUDA



## OVERALL BROCHURE CONSTANT TEMPERATURE EQUIPMENT 2024/2025

°FAHRENHEIT. °CELSIUS. °LAUDA.

# LAUDA STILLS



## Specific application examples

- Bacteriological and medical sample preparation
- Preparation of cell and tissue cultures
- Cleaning and sterilization processes
- Production of buffer solutions in quality, development and research laboratories
- Microbiological and analytical applications



# LAUDA Puridest

Stills in a large number of variants –  
the perfect solution for every application

## High distillate quality

LAUDA Puridest stills provide ultra-pure, low-gas, sterile and pyrogen-free distillate for the dilution of reagents, sets of samples and more. LAUDA Puridests purify any raw water to produce a distillate with conductivities down to below  $1.6 \mu\text{S}/\text{cm}$ . It complies with DAB regulations and the international pharmacopeia requirements.



Our maxim is simplicity: LED indicators for operating status and cleaning requirement are equipped as standard



Equipped for any application: Puridest PD 4 D for the direct distillate extraction of mono- or bi-distillate



Puridest PD 4 DG

## Important functions

- Device protected by water shortage protection in all models
- Energy savings through distillation of the heated cooling water
- Devices only require power and raw water
- Expensive cartridges, adsorbents and regular regeneration of ion exchangers can be dispensed with

## Further accessories

Prefilter, dechlorite filter, phosphate cartridge, replacement cartridge, wall mounting, hose sets

Devices with options such as ›Separate water supply‹ or ›External level controller‹ on request.

All technical data and power supply variants can be found in the ›Technical data‹ section.

More at [www.lauda.de/de/1791](http://www.lauda.de/de/1791)





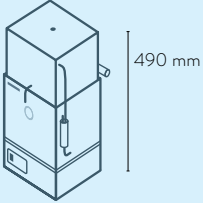
### LAUDA Puridest

Decades of experience and technical development have set the standard: LAUDA Puridest stills are offered worldwide in four high-performance product lines with 9 model variants.

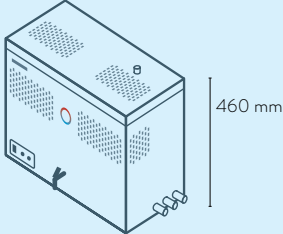


# LAUDA Stills

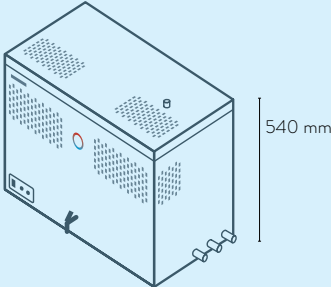
## Device type overview



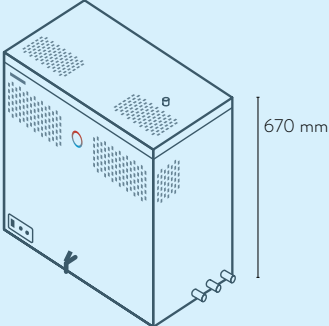
PD 4



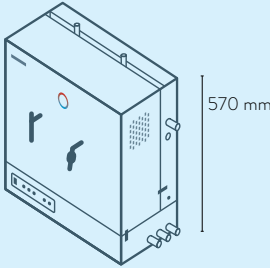
PD 4 R



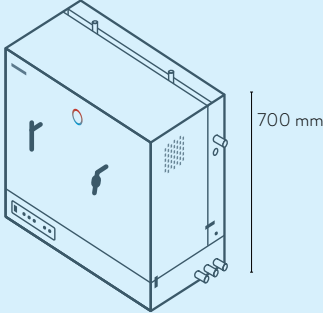
PD 8 R



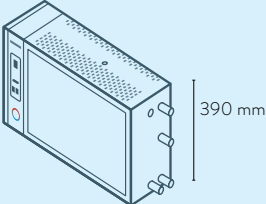
PD 12 R



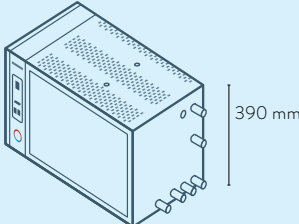
PD 4 D



PD 8 D



PD 4 G

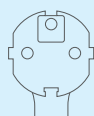


PD 4 DG  
PD 8 G

# LAUDA Stills

## Technical data

Device type	Ambient temperature °C	Distillate type	Condenser material	Production output L/h	Conductivity stage 1* approx. µS/cm	Conductivity stage 2* approx. µS/cm	Tank volume L	Cooling water consumption L/min	Dimensions (W x D x H) mm	Weight kg	Mains voltage	Max. power consumption kW	Part Number
-------------	------------------------	-----------------	--------------------	-----------------------	--	--	---------------	------------------------------------	---------------------------	-----------	---------------	---------------------------	-------------



CEE7/7 plug, angled, 'Schuko' type

PD 4	10 ... 40	Mono	Stainless steel	4	2.3	-	-	0.67	280 × 250 × 490	7.5	230 V; 50/60 Hz	3.00	L003012
PD 4 R	10 ... 40	Mono	Stainless steel	4	2.3	-	8	0.8	620 × 330 × 460	21.4	230 V; 50/60 Hz	3.00	L003014
PD 4 G	10 ... 40	Mono	Glass	4	2.2	-	-	1.2	650 × 200 × 390	17.0	230 V; 50/60 Hz	3.00	L003018



IEC 60309 plug, 5-pole, CEE, red, 16 A

PD 8 R	10 ... 40	Mono	Stainless steel	8	2.3	-	16	1.2	780 × 410 × 540	35.3	400 V; 3/N/PE; 50/60 Hz	6.00	L003015
PD 12 R	10 ... 40	Mono	Stainless steel	12	2.3	-	24	3.3	780 × 410 × 670	40.5	400 V; 3/N/PE; 50/60 Hz	9.00	L003016
PD 8 G	10 ... 40	Mono	Glass	8	2.2	-	-	2.4	650 × 365 × 390	24.0	400 V; 3/N/PE; 50/60 Hz	6.00	L003019
PD 4 D	10 ... 40	Double	Stainless steel/Glass	4	2.2	1.6	-	2	550 × 280 × 570	27.5	400 V; 3/N/PE; 50/60 Hz	7.00	L003021
PD 8 D	10 ... 40	Double	Stainless steel/Glass	8	2.2	1.6	-	3.3	700 × 390 × 700	45.0	400 V; 3/N/PE; 50/60 Hz	11.50	L003022
PD 4 DG	10 ... 40	Double	Glass	4	2.2	1.6	-	2.4	650 × 365 × 390	24.0	400 V; 3/N/PE; 50/60 Hz	5.80	L003024



Cable without plug

PD 8 R	10 ... 40	Mono	Stainless steel	8	2.3	-	16	1.2	780 × 410 × 540	35.3	220 V; 3/PE; 50/60 Hz	6.00	L003115
PD 12 R	10 ... 40	Mono	Stainless steel	12	2.3	-	24	3.3	780 × 410 × 670	40.5	220 V; 3/PE; 50/60 Hz	9.00	L003116
PD 8 G	10 ... 40	Mono	Glass	8	2.2	-	-	2.4	650 × 365 × 390	24.0	220 V; 3/PE; 50/60 Hz	6.00	L003117
PD 4 D	10 ... 40	Double	Stainless steel/Glass	4	2.2	1.6	-	2	550 × 280 × 570	27.5	220 V; 3/PE; 50/60 Hz	7.00	L003118
PD 8 D	10 ... 40	Double	Stainless steel/Glass	8	2.2	1.6	-	3.3	700 × 390 × 700	45.0	220 V; 3/PE; 50/60 Hz	11.50	L003119
PD 4 DG	10 ... 40	Double	Glass	4	2.2	1.6	-	2.4	650 × 365 × 390	24.0	220 V; 3/PE; 50/60 Hz	5.80	L003120

\*The quality of the conductivity depends on the selected model and raw water quality

